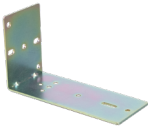
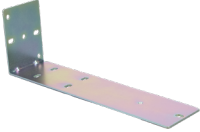

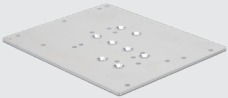

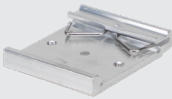








Switching Power Supply Accessories



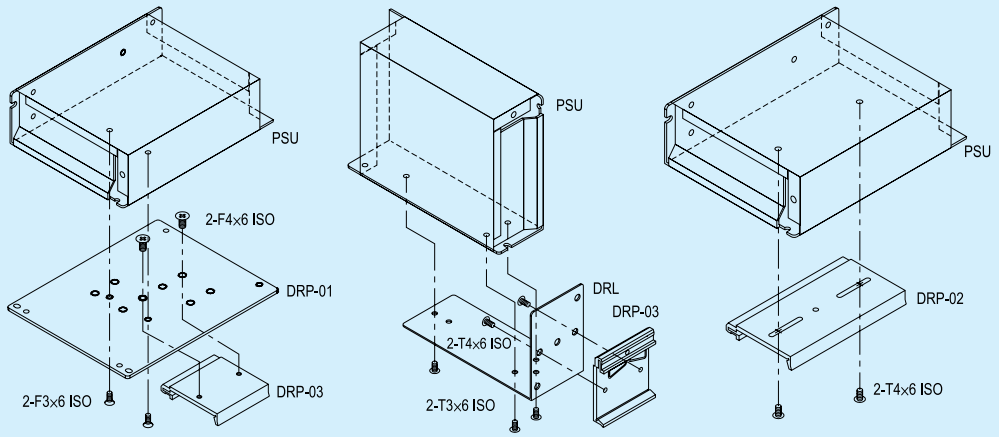
Metal Mounting Brackets & Accessories

Part No.	Photo	MEAN WELL Case No.	Applicable MEAN WELL Models
DRL-01		238, 239, 240 903, 905, 931 932, 971	LRS-35/50/75/100 RS-25 RS-35 RS-15
DRL-02		241 901, 902, 906 915, 916, 920	LRS-150/150F SD-100/150
DRL-03A		980 987	SP-240 HRP(G)-300
DRP-01		238, 239, 241 901, 902 903, 906 931, 932, 946	LRS-35/50/100/150/150F All models
DRP-01A		203, 205 978, 999	RSD-100/150/200/300
DRP-02		240 905, 915, 916, 920, 928	LRS-75
DRP-03		DRP-01 DRL-01~03	All models
DRP-04		203, 205 978, 999	RSD-100/150/200/300
DRP-14		214 979 984	EDR/NDR/SDR/TDR- 240/ 480/ 960
DRP-14A		214 CMU2	CMU2/ SDR-960/ TDR-960
DRP-15		221 979, 984, 992	EDR/NDR/SDR/TDR- 75/ 120

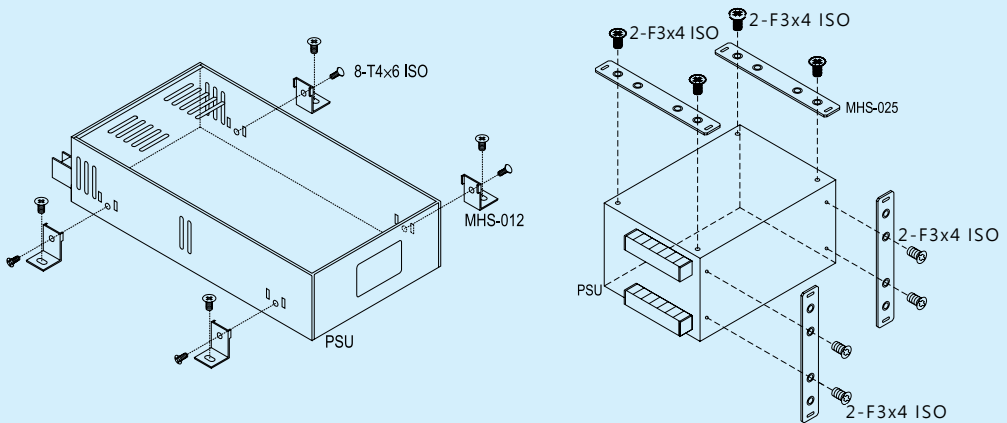
Part No.	Photo	MEAN WELL Case No.	Applicable MEAN WELL Models
MHS012		206, 207, 215A 912, 915, 916, 935, 939, 940 977,980, 982, 986, 987,995	HDP-190/ 240 RSP-200/ 320/ 500 LRS-200/ 350 RSP-150 SE-450/ 1000 MP450/ 650/ 1000 HRP-300/ 450/ 600 RSP-2400/ 3000
MHS012D		287	NPB-120/240/360
MHS013		919, 926	SP-750 SE-600
MHS013A		250 256 296 294	RSP-1600 RPB-1600 RCP-1600 RCB-1600 DPU-3200 DRP-3200 NSP-1600 NSP-3200
MHS014		212 952	RSP-750 RSP-1000 SD-1000
MHS025		910	PSP-600 SP-500 PSPA-1000
MHS026		943	RSP-1500
MHS027		971, 931	RS12 RS25

Installation Diagram

DRL/DRP series



MHS series



DRP series

